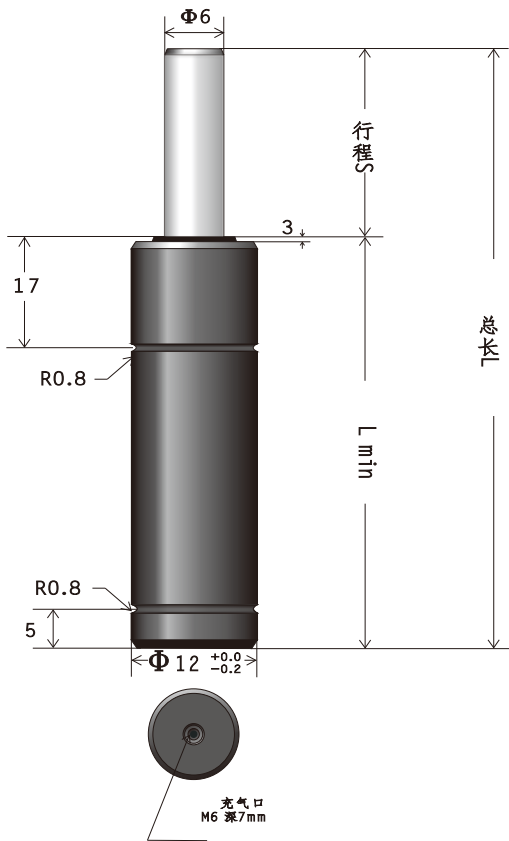


B KB Series 450N

BBK-JIN-BA
Mold Nitrogen Gas
Spring

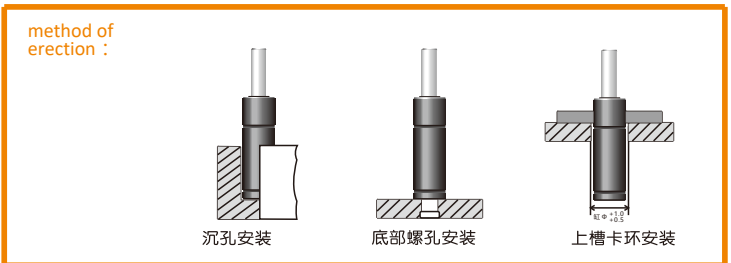
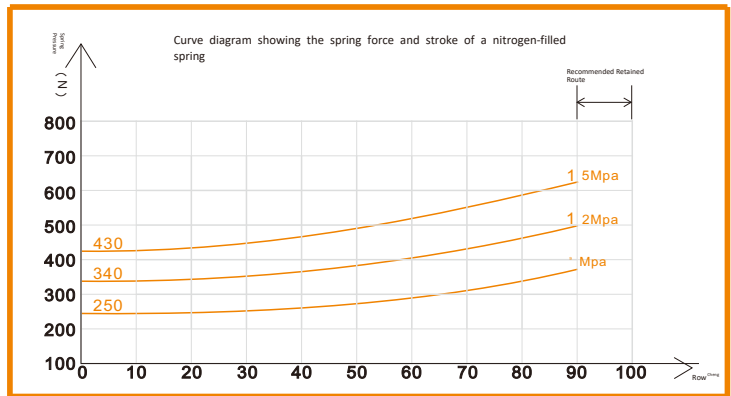
ISO International Standard Micro Nitrogen Spring and R1 2,C.General Purpose Products Series 45



Basic Technical Parameters

Nominal burst pressure: 450 N
 Maximum inflation pressure: ...18 MPa
 Minimum inflation pressure: ..2.5 MPa
 Maximum operating speed: ≤ 1.2 m/s

Working medium: Nitrogen (N₂)
 Operating temperature range: -20°C to +80°C;
 Unit temperature pressure change rate: ±0.3%°C;
 Recommended operating frequency: 6-50 cycles/min



Specifications and models		Total journey length: L Min	
BKB0.45-007-056	7	56	49
BKB0.45-010-062	10	62	52
BKB0.45-013-068	13	68	55
BKB0.45-015-072	15	72	57
BKB0.45-019-080	19	80	61
BKB0.45-025-092	25	92	67
BKB0.45-038-118	38	118	80
BKB0.45-050-142	50	142	92
BKB0.45-063-170	63	172	109
BKB0.45-075-195	75	195	120
BKB0.45-080-205	80	205	125
BKB0.45-100-245	100	245	145
BKB0.45-125-295	125	295	170

Note: Models marked with "★" are infrequently used or non-standard products. Please select them when ordering.